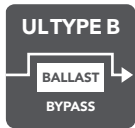


RECESSED CAN RETROFITS FOR 6" CANS AND LARGER



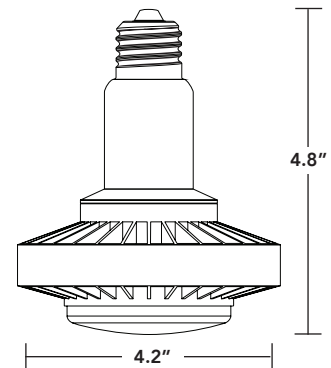
fresh design with silent operation



LED-8054E-G2

- 30W replaces up to 150W BR30 Incandescent
- Appealing design delivers lumens via 140° beam angle.
- Rated for damp locations and in open fixtures only.
- Efficient die-cast aluminum heat sink keeps the lamp running cool.
- Fanless - for silent operation.
- Available in 2700, 3500, 4000, and 5000K.

quick and easy energy savings



| PART # | UPC | REPLACES | WATTAGE | LUMENS | CCT (K) | BASE |
|----------------|--------------|------------------------|---------|--------|---------|------|
| LED-8054E27-G2 | 844006048815 | 150W BR30 Incandescent | 30W | 2500 | 2700K | E26 |
| LED-8054E35-G2 | 844006048822 | 150W BR30 Incandescent | 30W | 3000 | 3500K | E26 |
| LED-8054E40-G2 | 844006048839 | 150W BR30 Incandescent | 30W | 3000 | 4000K | E26 |
| LED-8054E50-G2 | 844006048846 | 150W BR30 Incandescent | 30W | 3000 | 5000K | E26 |



LIGHT EFFICIENT DESIGN HEADQUARTERS 188 S. Northwest Highway • Cary, IL 60013
 INNOVATION & MANUFACTURING CENTER 30 Log Bridge Road, Building 200 • Middleton, MA 01949
 847.380.3540 • led-llc.com